


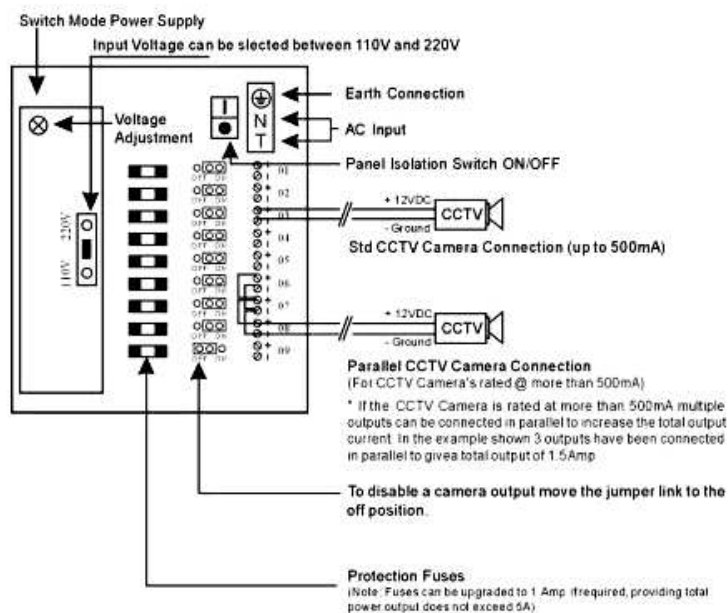
Importers and Distributors of CCTV products

9 Way CCTV Power Supply

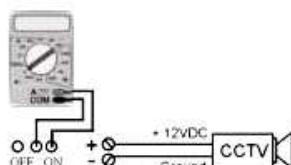
	PS9-500
	Specifications
	Input voltage: AC110V/AC220V 50-60Hz
	Output voltage: DC11-13V
	Output current: I _{max} =5A
	Output: 9 channels individually fused, 500mA per channel
	Protection: over-voltage, over current
Included: one power supply, two keys, one manual	

Diagram

Connection Diagram:



Test & Measurement:



To determine the current(A) draw of a camera remove the jumper link, set your meter to $\overline{\text{A}}$ / Amps DC and with the camera connected measure the current across the ON and COMMON terminals.

Specifications:

Input Voltage: AC100-120V
AC220-240V
Output Current: 9 x 500mA fused outlets (7.5A Max)
Output Power: 60W
Dimensions(mm): 240(L) x 210(W) x 65(H)

* For Indoor Use Only